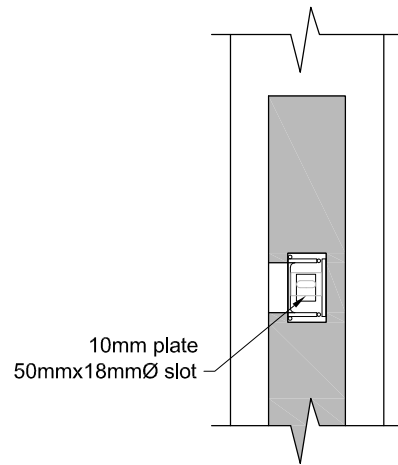
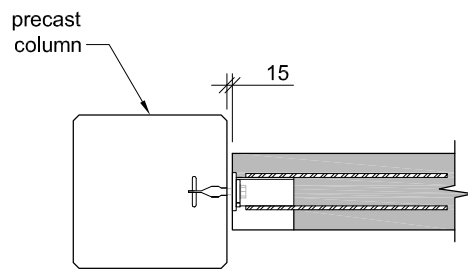


Elevation



Section



Plan

REV.	DESCRIPTION.	DATE.	BY.



DEERPARK INDUSTRIAL ESTATE  
 ORANMORE, Co. GALWAY.      TELEPHONE (091) 794537  
 FAX (091) 794586  
 E-MAIL: info@oranprecast.ie

CLIENT:	OPC	DRAWING STATUS:	
JOB:	Solid Wall	SCALES: 1:20	
DRAWING:	Solid Wall/Column	DATE:	DRAWN BY:
DRAWING NO:	700-05-06	REV.:	CHECKED BY:
			SURVEYED BY: